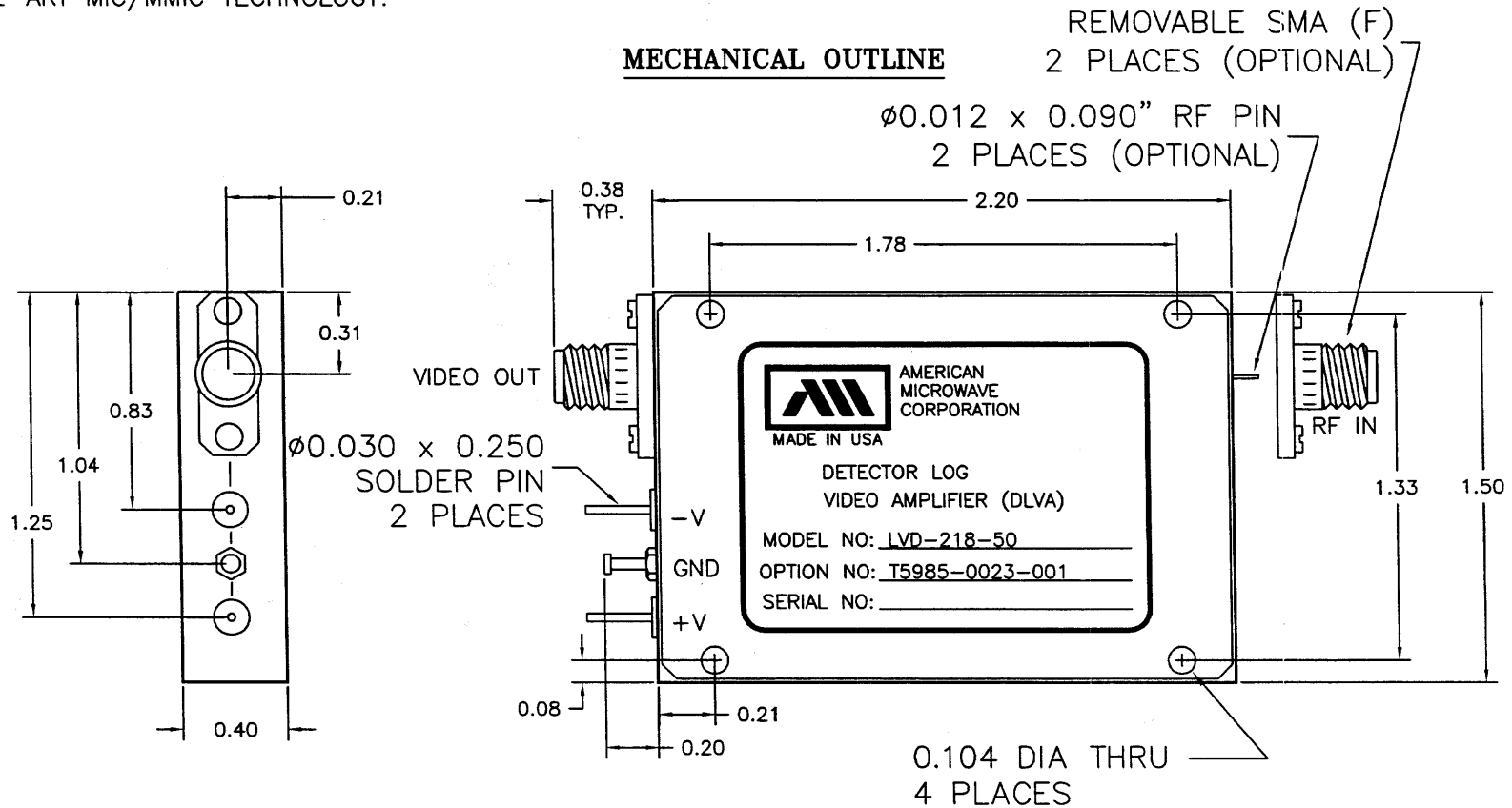


DESCRIPTION

AMC MODEL LVD-218-50 OPTION: T5985-0023-001 IS A 50 dB DETECTOR LOG VIDEO AMPLIFIER DESIGNED TO OPERATE BETWEEN THE 9 TO 10 GHz FREQUENCY RANGE. IT EMPLOYS PLANAR DIODE DETECTORS AND INTEGRATED VIDEO CIRCUITRY FOR HIGH SPEED PERFORMANCE AND OUTSTANDING RELIABILITY. IT IS OF SUPERIOR CONSTRUCTION USING STATE-OF-THE-ART MIC/MMIC TECHNOLOGY.

REVISIONS				
ZONE	REV.	DESCRIPTION	DATE	APPROVED
	-	ORIGINAL RELEASE JOB# D411272	12/2/04	

MECHANICAL OUTLINE



AMERICAN MICROWAVE CORPORATION

7311-G GROVE ROAD
 FREDERICK, MARYLAND 21704 USA
 TEL: 301-662-4700 FAX: 301-662-4938
 WEBSITE: www.americammicrowavecorp.com
 E-MAIL: sales@americammicrowavecorp.com
 ISO 9001:2000 CERTIFIED



ALL DIMENSIONS ARE IN INCHES
 TOLERANCES:
 X.XX ±0.020
 X.XXX ±0.010

APPROVALS		DATE	TITLE			REV.
DRAWN	<i>JDJ</i>	12/2/04	MECHANICAL OUTLINE LVD-218-50 OPTION: T5985-0023-001 9 - 10 GHz, DETECTOR LOG VIDEO AMPLIFIER			-
CHECKED	<i>PA</i>	12/16/04	SIZE	FSCM NO.	DWG NO.	
ISSUED			A	60483	100-7214	
			SCALE	N:S	SHEET	2 OF 3

DESCRIPTION

AMC MODEL LVD-218-50 OPTION: T5985-0023-001 IS A 50 dB DETECTOR LOG VIDEO AMPLIFIER DESIGNED TO OPERATE BETWEEN THE 9 TO 10 GHz FREQUENCY RANGE. IT EMPLOYS PLANAR DIODE DETECTORS AND INTEGRATED VIDEO CIRCUITRY FOR HIGH SPEED PERFORMANCE AND OUTSTANDING RELIABILITY. IT IS OF SUPERIOR CONSTRUCTION USING STATE-OF-THE-ART MIC/MMIC TECHNOLOGY.

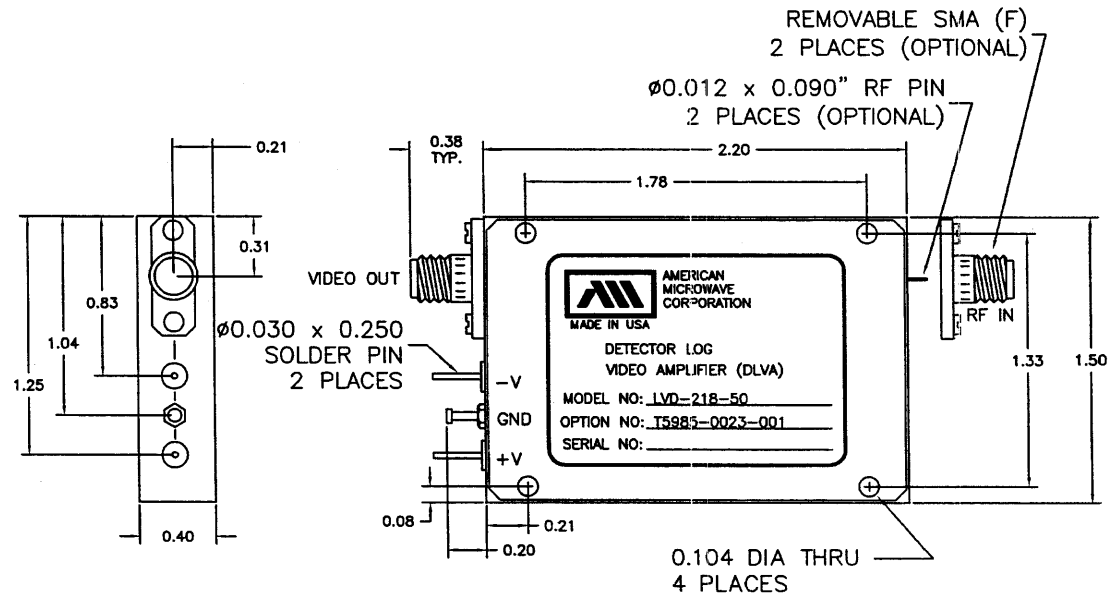
SPECIFICATIONS

- FREQUENCY RANGE: 9 TO 10 GHz
- FREQUENCY FLATNESS: ± 1.0 dB MAXIMUM
- LOGGING RANGE: -40 TO 0 dBm MINIMUM
- USEFUL RANGE: -40 TO +5 dBm
- LOG LINEARITY ERROR: ± 0.5 dB MAXIMUM
- LOG SLOPE: 50 mV/dB
- LOG SLOPE ACCURACY: ±4% OF AVERAGE SLOPE
- TEMPERATURE STABILITY: ± 1.0 dB MAXIMUM (-54°C TO +85°C)
- RISE TIME: 20 nSec MAXIMUM
- SETTLING: 45 nSec MAXIMUM
- RECOVERY TIME: 150 nSec TYPICAL
300 nSec MAXIMUM
- TSS: -42 dBm MINIMUM
- VSWR: 3.0:1 MAXIMUM
- VIDEO OUTPUT LEVEL: 0 TO 2.5 VOLTS (50 MINIMUM LOAD)
- DC POWER (NO LOAD)
 - +V: +15V @ 75 mA MAXIMUM
 - V: -15V @ 75 mA MAXIMUM
- SIZE: 2.20" x 1.50" x 0.40"

ENVIRONMENTAL RATINGS

- **TEMPERATURE:** -54°C TO +85°C (OPERATING)
-65°C TO +100°C (STORAGE)
- **HUMIDITY:** MIL-STD-202F, METHOD 103B COND. B
- **SHOCK:** MIL-STD-202F, METHOD 213B COND. B
- **VIBRATION:** MIL-STD-202F, METHOD 204D COND. B
- **ALTITUDE:** MIL-STD-202F, METHOD 105C COND. B
- **TEMPERATURE CYCLE:** MIL-STD-202F, METHOD 107D COND. A

NOTE: SPECIFICATIONS WILL VARY OVER OPERATING TEMPERATURE
NOTE: THE ABOVE SPECIFICATIONS ARE SUBJECT TO CHANGE OR REVISION



ALL DIMENSIONS ARE IN INCHES
TOLERANCES:
X.XX ±0.020
X.XXX ±0.010

REVISIONS				
ZONE	REV.	DESCRIPTION	DATE	APPROVED
-	-	ORIGINAL RELEASE JOB# D411272	12/2/04	BSC

AMERICAN MICROWAVE CORPORATION

7311-G GROVE ROAD
FREDERICK, MARYLAND 21704 USA
TEL: 301-662-4700 FAX: 301-662-4938
WEBSITE: www.americanmicrowavecorp.com
E-MAIL: sales@americanmicrowavecorp.com
ISO 9001:2000 CERTIFIED



APPROVALS		DATE	TITLE			REV.
DRAWN		12/2/04	PRODUCT FEATURE LVD-218-50 OPTION: T5985-0023-001 9 - 10 GHz, DETECTOR LOG VIDEO AMPLIFIER			-
CHECKED		12/1/04	SIZE	FSCM NO.	DWG NO.	-
ISSUED			A	60483	100-7214	-
			SCALE	N:S		SHEET 1 OF 3